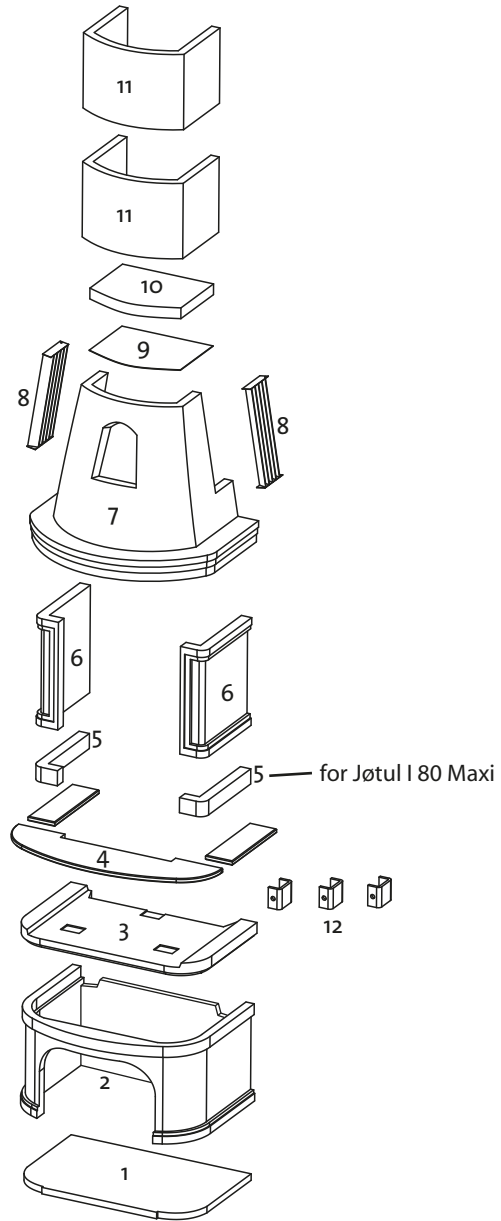
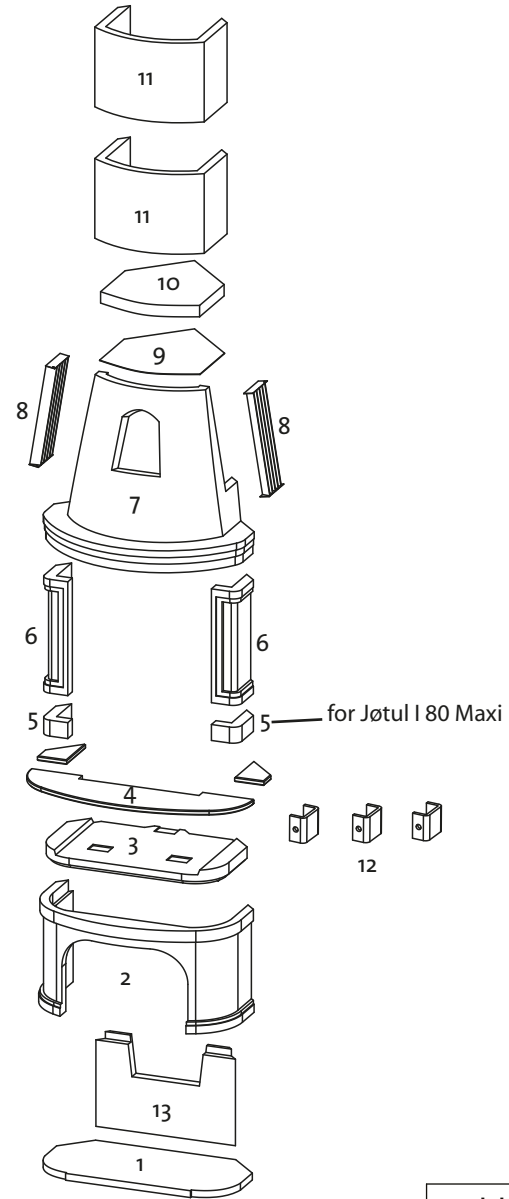


Jøtul S 16 W



Jøtul S 16 C



Del-liste/Partlist Jøtul S 16 C/W

Jøtul AS
Fredrikstad, Norway

Tegning nr:
4-4437-PO1

Date:
Jan. 2012

		Jøtul S 16 C/W			
S 16 W Marmor, cat.no. 300409 - S 16 C Marmor, cat.no. 300408			S 16 W Marmor LAT, cat.no. 300506 - S 16 C Marmor LAT, cat.no. 300505		
S 16 W Skifer LAT, cat.no. 30044322 - S 16 C Skifer LAT, cat.no. 30044323					
			Jøtul S 16 W		
<i>Pos. no.</i>	<i>Spareparts</i>	<i>Consist of pos.no:</i>	<i>Benevnelse</i>	<i>Description</i>	<i>Dim./Spec.</i>
1	50037215		Sokkelplate	Base plate	
2	50037220		Sokkel	Base	
3	50037225		Bæreplate	Support plate	
4	50026928		Benkeplate marmor	Bench plate marble	
4	50044328		Benkeplate skifer	Bench plate slate	
5	50037209		Skjøtekloss for sidevanger (for I 80 Maxi)	Small side panel (for I 80 Maxi)	
6	50037221		Sidevange	Side panel	
7	50037222		Kappe	Cowling	
8	50026814		Ventil	Side vent	
9	50026819		Stål varmluftssperre	Steelplate (hot air protection)	
10	50026820		Rockwool 10 cm	Insulation 10 cm	
11	50037223		Pipe elementer	Pipe element	
12	10024149		Små bein	Small legs	
			Ekstraustyr S 16 W		
	50026930		Gulvplate marmor	Floor plate marble	
	50026932		Hylleplate marmor	Shelf plate marble	
	50044326		Gulvplate skifer	Floor plate slate	
	50044325		Hylleplate skifer	Shelf plate slate	
			Jøtul S 16 C		
1	50037219		Sokkelplate	Base plate	
2	50037226		Sokkel	Base	
3	50037211		Bæreplate	Support plate	
4	50026929		Benkeplate marmor	Bench plate marble	
4	50044328		Benkeplate skifer	Bench plate slate	
5	50037210		Skjøtekloss for sidevanger (for I 80 Maxi)	Small side panel (for I 80 Maxi)	
6	50037227		Sidevange	Side panel	
7	50037228		Kappe	Cowling	
8	10025968		Ventil, høyre	Side vent, right	
8	10038420		Ventil, venstre	Side vent, left	

			Jøtul S 16 C/W		
	S 16 W Marmor, cat.no. 300409 - S 16 C Marmor, cat.no. 300408		S 16 W Marmor LAT, cat.no. 300506 - S 16 C Marmor LAT, cat.no. 300505		
	S 16 W Skifer LAT, cat.no. 30044322 - S 16 C Skifer LAT, cat.no. 30044323				
9	50026821		Stål varmluftssperre	Steelplate (hot air protection)	
10	50026820		Rockwool 10 cm	Insulation 10 cm	
11	50037229		Pipe element	Pipe element	
12	10024149		Små bein	Small legs	
13	50037238		Bakplate, sokkel	Back plate, base	
			Ekstraustyr S 16 C		
	50026930		Gulvplate marmor	Floor plate marble	
	50026931		Hylleplate marmor	Shelf plate marble	
	50044326		Gulvplate skifer	Floor plate slate	
	50044324		Hylleplate skifer	Shelf plate slate	
					4-4437-P03